



## Materials Included

Refer to the separate “pick” list for details on part numbers and quantities.

### Additional Tools Recommended

- Cordless drill or impact driver
- 8’ step ladders
- Utility knife
- Clamps
- 4’ level
- 100’ or longer tape measure
- Deep socket set with an adaptor for your drill
- Sledgehammer
- Sharpie markers

# Contents

PARTS LIST ..... 2

ILLUSTRATED PARTS LIST ..... 3

STEP1 LAYING OUT YOUR SHADE STRUCTURE ..... 4

STEP 2 GROUND POST INSTALLATION ..... 5

STEP 3 FRAME SET-UP ..... 7

STEP 4 INSTALL DIAGONAL BRACES ..... 7

STEP 5 SHADE CLOTH INSTALLATION..... 9

LIMITED WARRANTY ..... 10

LIMITATION OF LIABILITY ..... 10

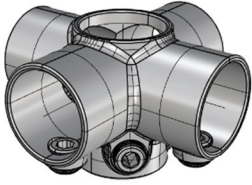
JURISDICTION ..... 10

# PARTS LIST

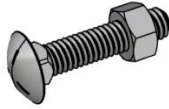
Description	Part Number	Item Number
FOUR SOCKET CROSS	FC102470283+LH	1
5/16" HEX NUT	FC163104+LH	2
5/16" X 1-1/2" CARRIAGE BOLT	FC21259+LH	3
5/16" X 2-1/2" CARRIAGE BOLT	FC21263+LH	4
1-5/8" BRACE BAND	HBB158+LH	5
SHADE STRUCTURE CARE PACKAGE	ISSCARE+	6
1.9" X 8" SLEEVE FOR SPLICING TOGETHER 1.66" TUBES	RGS19X8+LH	7
STANDARD 3' LONG GROUND POST: 2' IN THE GROUND, 1' OUT OF THE GROUND	RGSGP3+LP	8
9'10" SHADE STRUCTURE TUBE W/NO HOLES	RGSSS910+LSB	9
9'11" TUBE W/ HOLES AT 1 END	RGSSS911+LSB	10
DIAGONAL BRACE (TRUSS BRACE)	RGSWB30+LP	11

# ILLUSTRATED PARTS LIST

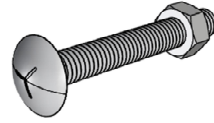
SEE ITEM NUMBER ON PAGE 2



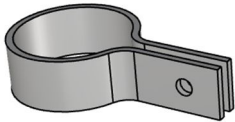
1



2 3



2 4



5

SHADE  
STRUCTURE  
CARE PACKAGE  
NOT SHOWN

6



7



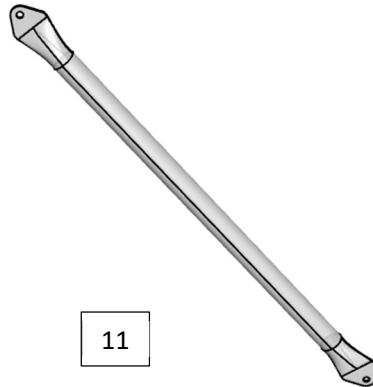
8



9



10



11

## ASSEMBLY INSTRUCTIONS

### STEP1 LAYING OUT YOUR SHADE STRUCTURE

#### Parts Needed for STEP 1

#### Shade Structure Care Package Contents

- *Mason Twine*
- *Ground Post Driver*
- *Allen Wrench*
- *Drill Bit*
- *3" Line Level*

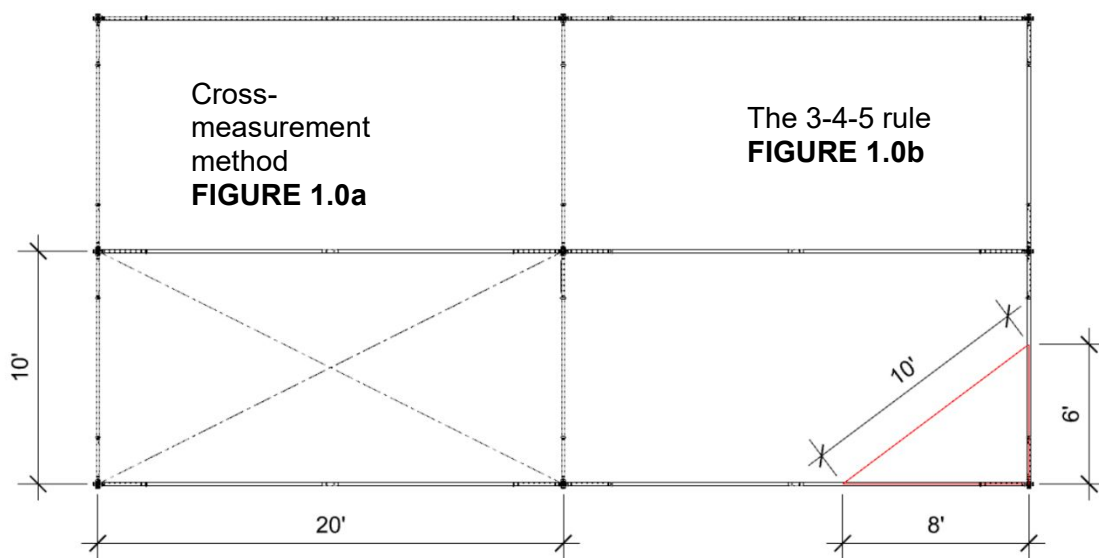
STEP 1.0 This is a very important step. The accuracy of squaring the frame will make the rest of the job much easier. The width of the frame is in 10' increments and the length is in 20' increments. These are "on center" measurements.

STEP 1.0a One of the fastest ways to square up the frame is the cross-measurement method. Each diagonal must be equal. Diagonals can be measured in blocks or for the entire structure.

**See Figure 1.0a**

STEP 1.0b Another way to lay out the ground posts is to use batter boards and check measurements using the 3-4-5 rule. The 3-4-5 rule involves measuring 6' and 8' and 10.'

**See Figure 1.0b**



## STEP 2 GROUND POST INSTALLATION

### Parts Needed for STEP 2

- Sledgehammer
- Columns
- Ground Post Driver
- 5/16" Driver
- 5/16" x 2 1/2" Carriage Bolt and Nut
- Ground Post with Plate Attachment
- Washers for Leveling

STEP 2.0 Install ground posts by using post driver and sledgehammer. Drive ground posts 24-30" into the ground. Insert the column into the ground post and fasten with 5/16" x 2 1/2" carriage bolt and nut provided. If you hit a rock while driving the ground post into the ground, you can cut the ground post shorter; however, you may have to add concrete if the ground post is not stable.

STEP 2.1 If using the ground post with a plate attachment, make sure concrete is level. Do not attach plates to asphalt since asphalt can easily break apart. Washers may have to be used to level, plate that attaches to column to keep column straight and plumb. **See Figure (3), (4) and (4A).**

FIGURE 3

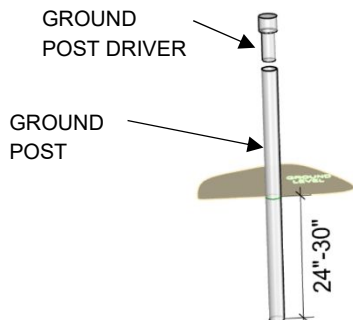
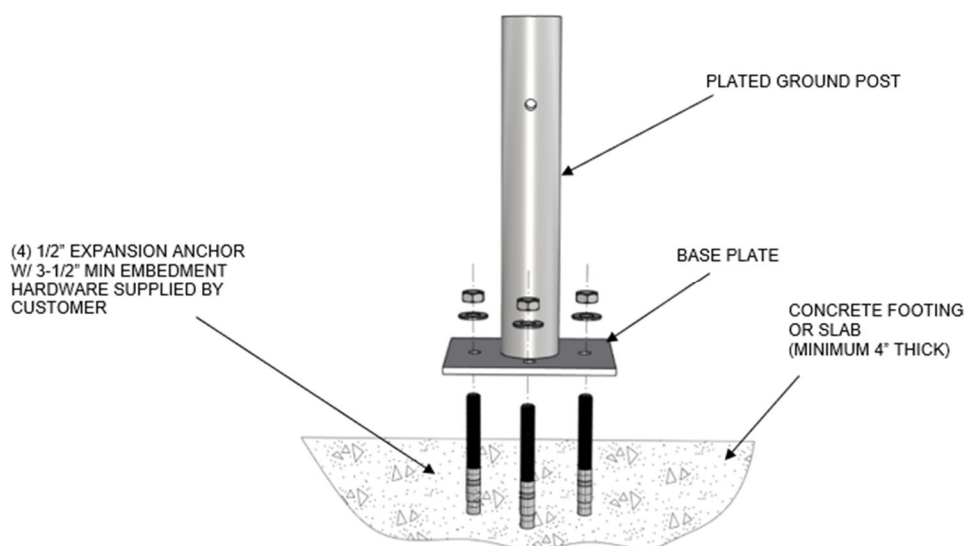


FIGURE 4



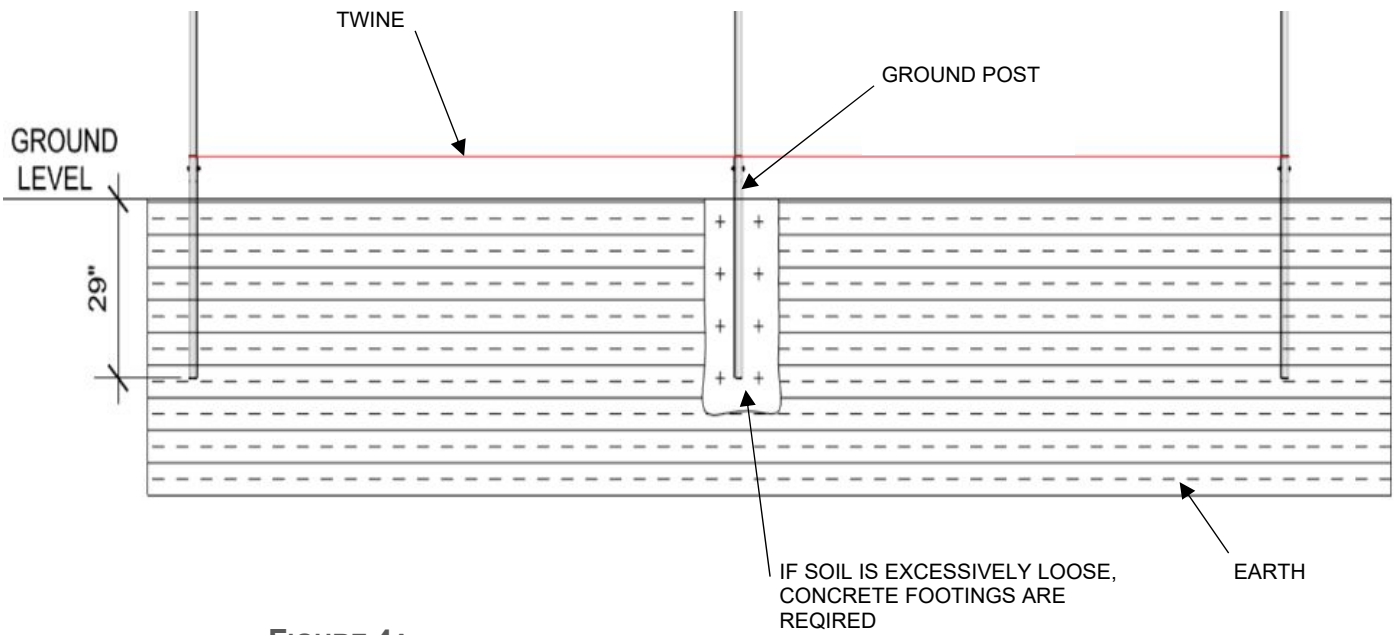


FIGURE 4A

## STEP 3 FRAME SET-UP

### Parts Needed for STEP 3

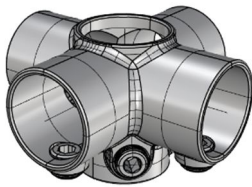
- 4-Way Cross
- 19'-10" Long Horizontal Tubes (not supplied)
- 9'-11" Tubes
- Sleeve
- 5/16" x 1-1/2 Carriage Bolt and Nut

**STEP 3.0** There is one type of fitting used which is a 4-Way Cross. See FIGURE 3.0

19' 10" long horizontal tubes are not supplied they are assembled.

**STEP 3.1** 19'-10" tubes for the long horizontals are assembled using two 9'-11" tubes and joining them together with a sleeve as shown in FIGURE 3.1A and B. The columns used in the shade structure are also the same 9'-11" tubes.

FIGURE 3.0



5/16" x 1-1/2" Carriage Bolts & Nuts

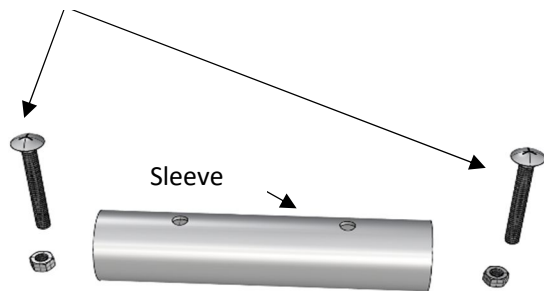
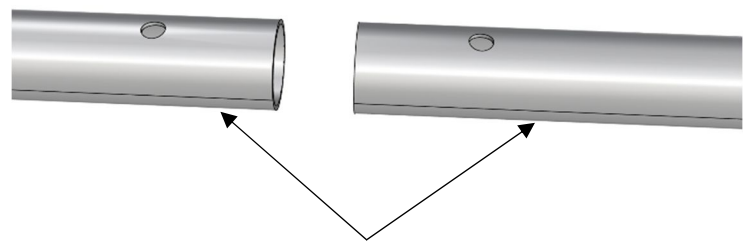


FIGURE 3.1B



9'-11" TUBES

FIGURE 3.1A



## STEP 4 INSTALL DIAGONAL BRACES

### Parts Needed for STEP 4

- 1-1/2" Carriage Bolt and Nut
- Four-way Cross
- Brace Bands

### STEP 4.0 Install diagonal braces as shown in FIGURE 4.0

Corner columns use two diagonal braces.

Side columns use three diagonal braces.

Center columns use four diagonal braces.

Attach diagonal brace at 45° angles and use brace bands with carriage bolts and nuts.

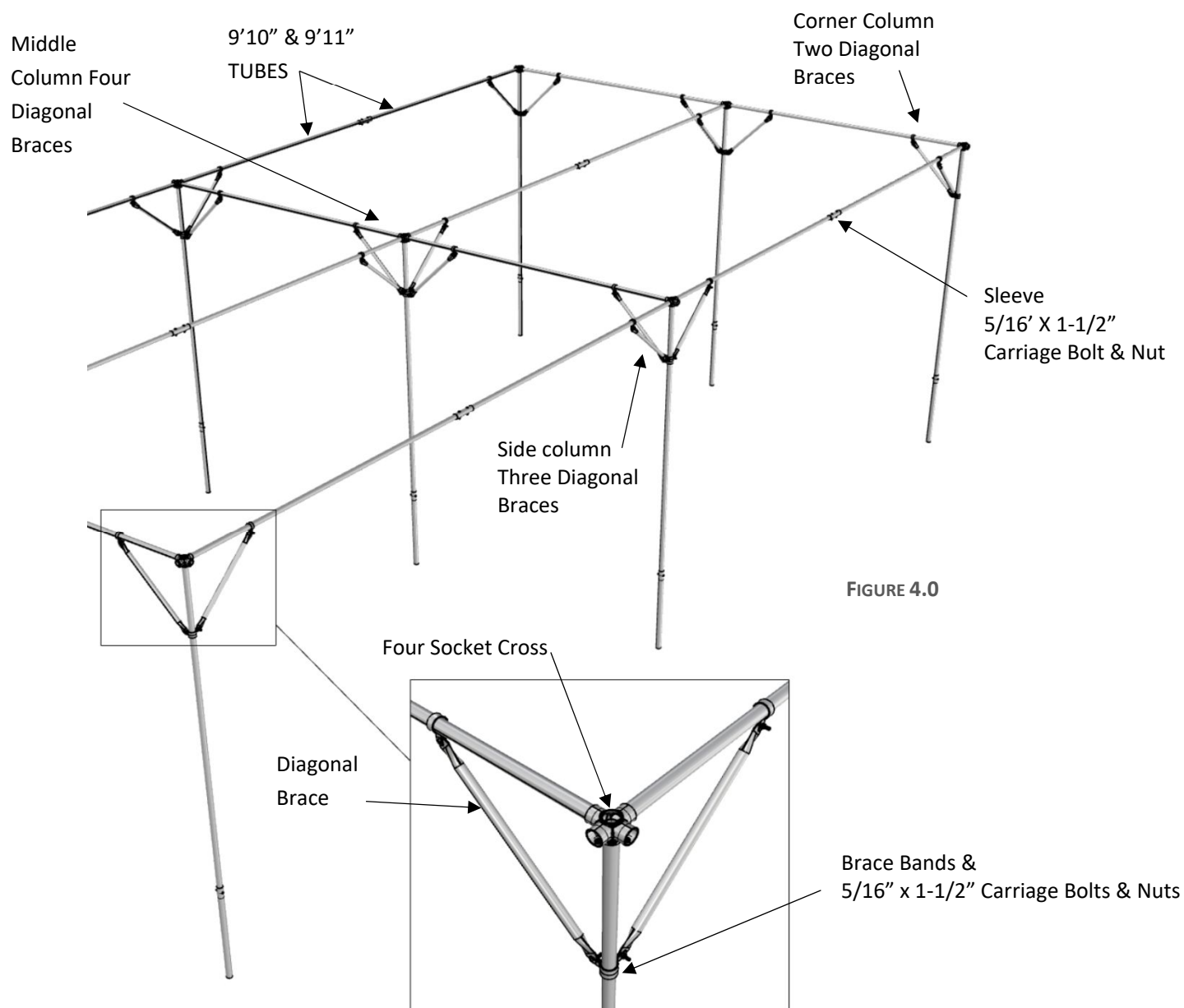


FIGURE 4.0

## STEP 5 SHADE CLOTH INSTALLATION

### Parts Needed for STEP 5

- *Shade Cloth*
- *Bungee Balls*

**Note: Remove shade cloth in winter. Shade structure cannot support the weight of any snow and will result in damage.**

**STEP 5.0 Installing shade cloth insert bungee ball through the grommets and fasten around the horizontals as shown. Figure 5.0**

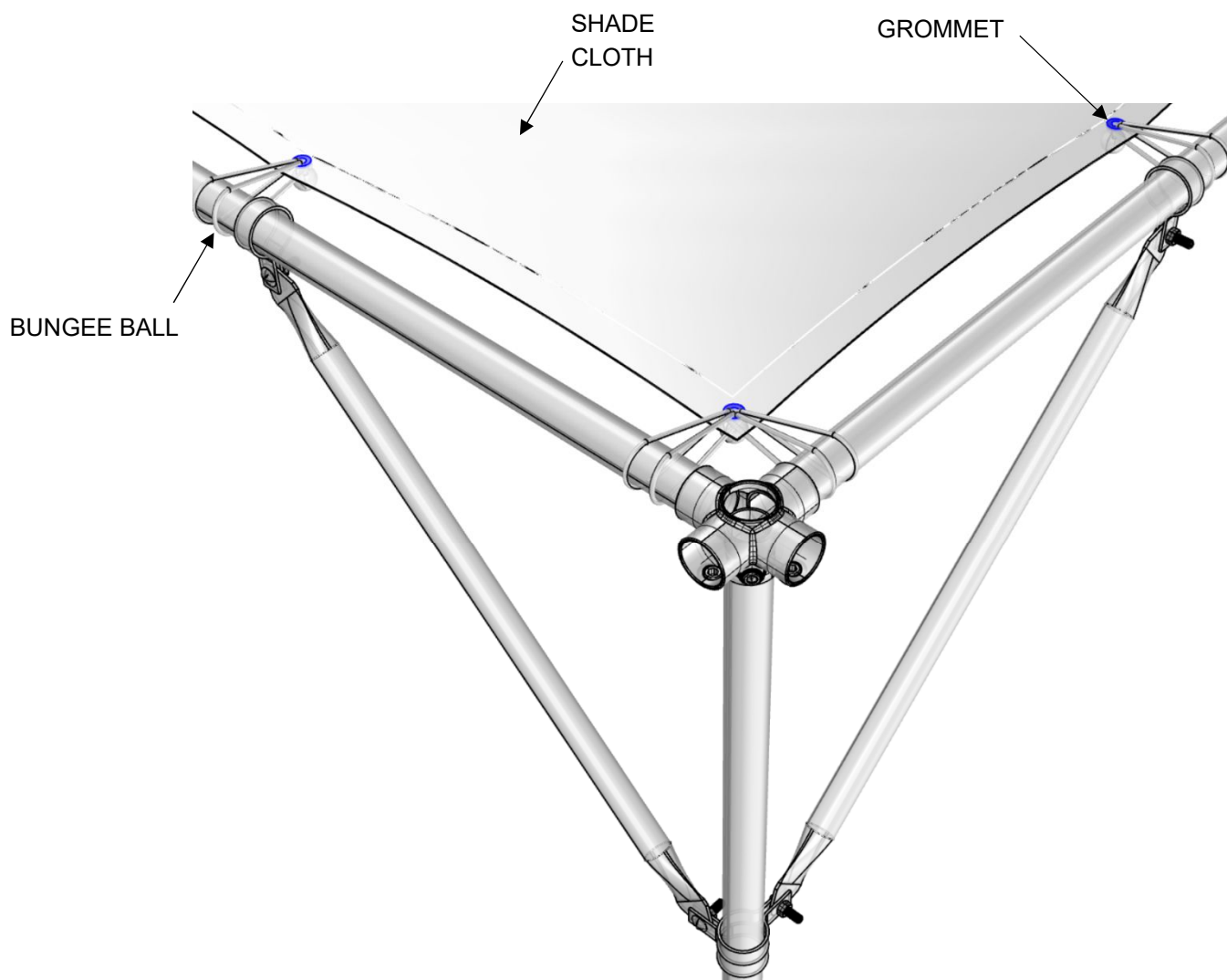


FIGURE 5

## LIMITED WARRANTY

Rimol Greenhouse Systems, LLC. (RGS) warrants to only the original purchaser (“Buyer”) that the greenhouse frame(s) manufactured by RGS will be free of defects in materials and workmanship for a period of five (5) years. This limited warranty shall not be effective unless the Buyer’s greenhouse is installed on level ground and there are no other objects or structures within ten (10) feet of the greenhouse, and the Buyer hereby waives any claims under this warranty in the event these two conditions are not satisfied.

This warranty covers all defects in material and workmanship, EXCEPT:

1. Damage resulting from accident, misuse, abuse, neglect or from other than normal and ordinary use of the frame(s).
2. Damage resulting from failure to use the product in accordance with RGS specifications and instructions.
3. Damage resulting from repair or attempted repair by anyone other than RGS or an authorized repair contractor or facility.
4. Damage resulting from the use or installation of any other equipment or products used in the greenhouse.

This warranty applies only to the products being supplied by RGS and physically attached to the RGS products at the RGS factory. Defects in equipment installed with any RGS product, or defects in the installation of the RGS product, whether or not sold by RGS, are warranted, if at all, by the installers or manufacturers of such equipment, and are not covered by this warranty.

RGS makes no warranties other than those stated above and specifically does not warrant that any of the RGS frames, parts or products are of a merchantable equality or that they can be used for any particular purpose by the buyer.

RGS shall have the right to inspect any parts before taking corrective measures under this warranty.

RGS shall be notified of any warranty claim within 48 hours of damage. Proof of purchase must be furnished with any claim.

## LIMITATION OF LIABILITY

In no event will RGS be liable for incidental, consequential, special or indirect damages, lost business profits, regardless of the form of action, whether in contract, tort (including negligence), breach of contract, breach of warranty or otherwise, even if RGS has been advised as to the possibility of same. Buyer’s sole and exclusive remedy is repair or replacement, at RGS’s option, of any defective parts or workmanship. In the event this exclusive remedy fails of its essential purpose, Buyer’s exclusive remedy shall be refund of the defective part.

## JURISDICTION

Any disputes arising between RGS and Buyer shall be governed by New Hampshire law without regard to conflicts of law principles. Buyer hereby submits, and waives any objection, to the exclusive personal and subject matter jurisdiction by New Hampshire courts and submits, and waives any objection, to New Hampshire as the proper venue for any disputes.